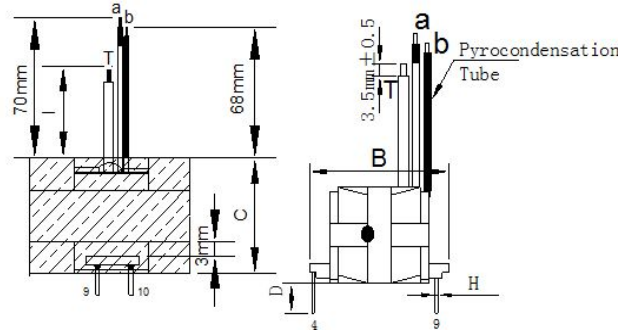


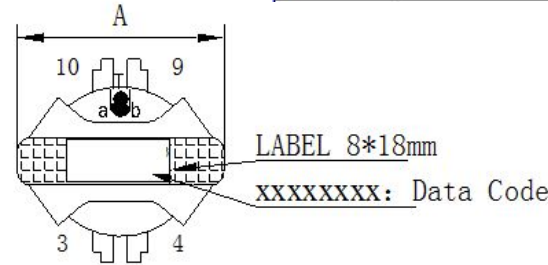
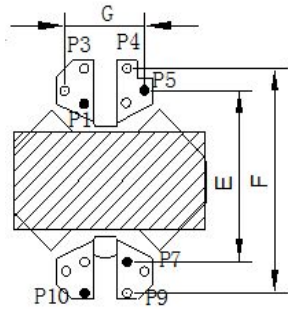
|                   |      |               |
|-------------------|------|---------------|
| CUSTOMER TERMINAL | ROHS | Lead(Pb)-free |
|                   | YES  | YES           |



### 1.Mechanical Dimensions



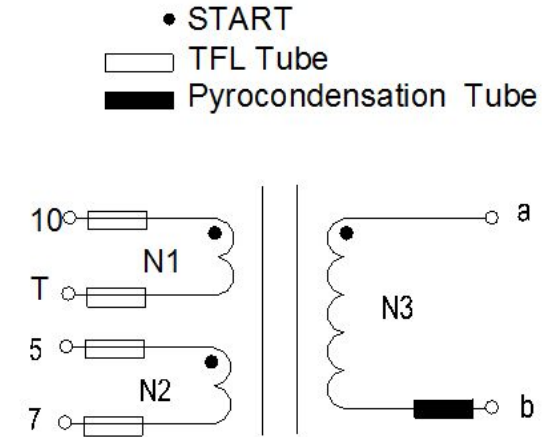
|          |       |      |
|----------|-------|------|
| <b>A</b> | 30.0  | MAX  |
| <b>B</b> | 29.0  | MAX  |
| <b>C</b> | 19.5  | MAX  |
| <b>D</b> | 3.5   | ±0.3 |
| <b>E</b> | 21.6  | ±0.1 |
| <b>F</b> | 25.2  | ±0.1 |
| <b>G</b> | 7.2   | ±0.1 |
| <b>H</b> | 0.60  | ±0.1 |
| <b>I</b> | 37.00 | ±2.0 |



### 3.Material List

Core:FW44 RM10  
 Bobbin:FWB1005(6+6PIN)  
 Wire:2UEW TIW LITZ  
 Copper foil: 0.025t\*5.0/8.0mm  
 Operating Temperature: -30 to115 °C

### 2.Schematic Diagram



### 4.Electrical Specification

Inductance :  $L(10-T):700\mu H \pm 5\% 50KHZ, 1.0V$   
 DCR :  $(T-10)=0.25\Omega \text{ MAX}$   
 Hi-Pot:P-S: AC 60Hz 4000V 1mA 3S

|             |       |  |      |                |          |                    |                           |
|-------------|-------|--|------|----------------|----------|--------------------|---------------------------|
| REV.        | DATE  | <br>Convention Placement                             | DRW. | Drawing Title: | Part No: |                    |                           |
| 0           | 00/00 |  | CHK. |                |          | <b>TRANSFORMER</b> | FWPTRM10V701J             |
|             |       |  | APP. |                |          | Customer P/N       | Specification Sheet 1of 1 |
| <b>ROHS</b> |       | <a href="http://www.ferriwo.com">www.ferriwo.com</a> |      |                |          |                    |                           |